

DHI-DAE-CSV5122-M12-0100B-CVI

360° Surround View Camera



Product Overview

360° Surround View Camera is an on-board product consisting of one terminal and four cameras, designed to address the issue of blind spots in vehicles with its 360 panoramic circumnavigation terminal. The terminal device allows for the splicing of wide-angle images around the vehicle, enabling drivers to easily assess their surroundings by viewing the display within the car. This solution is suitable for all types of vehicles and provides drivers with a comprehensive field of vision, ultimately reducing the safety risks associated with blind spots and minimizing traffic accidents.

Highlights

- Adopting high-sensitivity image sensor.
- Adopting high transmittance lens.
- Adopting a self-developed dual noise reduction algorithm in the RAW and YUV domains to ensure improved image quality in low illumination, while effectively suppressing noise interference.
- Implementing self-developed image detail enhancement technology and HDCVI HD transmission technology to preserve image details to the greatest extent possible, completely solving the blur problem associated with traditional surround view cameras.

Technical Specification

Camera

Image Sensor	1/4 inch CMOS
Max. Resolution	1280 (H) × 720 (V)
Electronic Shutter Speed	PAL: 1/25 s - 1/10000 s NTSC: 1/30 s - 1/10000 s
IR	N/A

Lens

Lens Type	Fixed
Lens Interface	M12
Focal Length	0.95 mm
Aperture	F2.0
Field of View	Horizontal:195° x Vertical: 118° x Diagonal: 200°

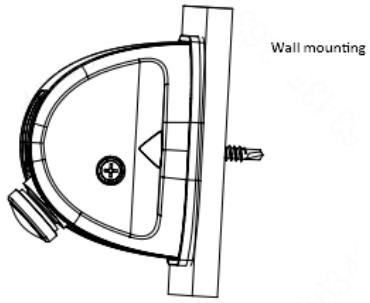
Video

Resolution	720P (1280 × 720)
Frame Rate	50 Hz: 1280 × 720 @ 25 fps 60 Hz: 1280 × 720 @ 30 fps
BLC	N/A
HLC	N/A
WDR	N/A
White Balance	Auto
Gain Control	Auto
Noise Reduction	2D

General

Working voltage	12 VDC ± 30%
Power Consumption	Max. 1.2 W
Operating Condition	-40 °C to + 75 °C (-40 °F to 140 °F)
Operating Humidity	< 95% (RH) (non-condensing)
Protection Level	IP68
Material	Metal + Plastic
Product Dimensions	79 mm × 64 mm × 47 mm (3.11 " × 2.52 " × 1.85 ")
Package Dimensions	138 mm × 137 mm × 115 mm (5.43 " × 5.39 " × 4.53 ")
Net Weight	0.14 kg (0.31 lb)
Gross Weight	0.22 kg (0.49 lb)

Installation



Dimensions (mm[inch])

