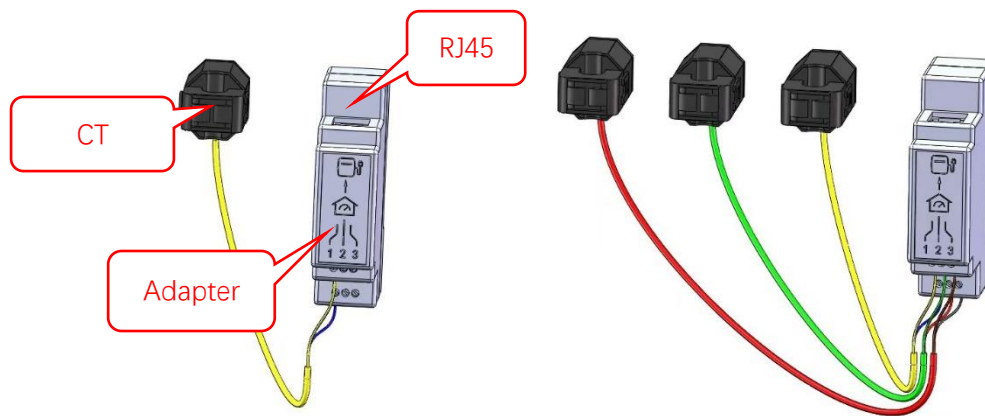


## The Installation Guide of DLB Accessory

We have two models of DLB:

Single Phase: DHI-ICS-ME-CT-1L

Three Phase: DHI-ICS-ME-CT-3L



Single phase DLB is suitable for home use when the power input of the house is single phase. Three phase DLB is suitable for home use when the power input of the house is three phase. The installation steps are listed as follows:

1. Preparing for the installation

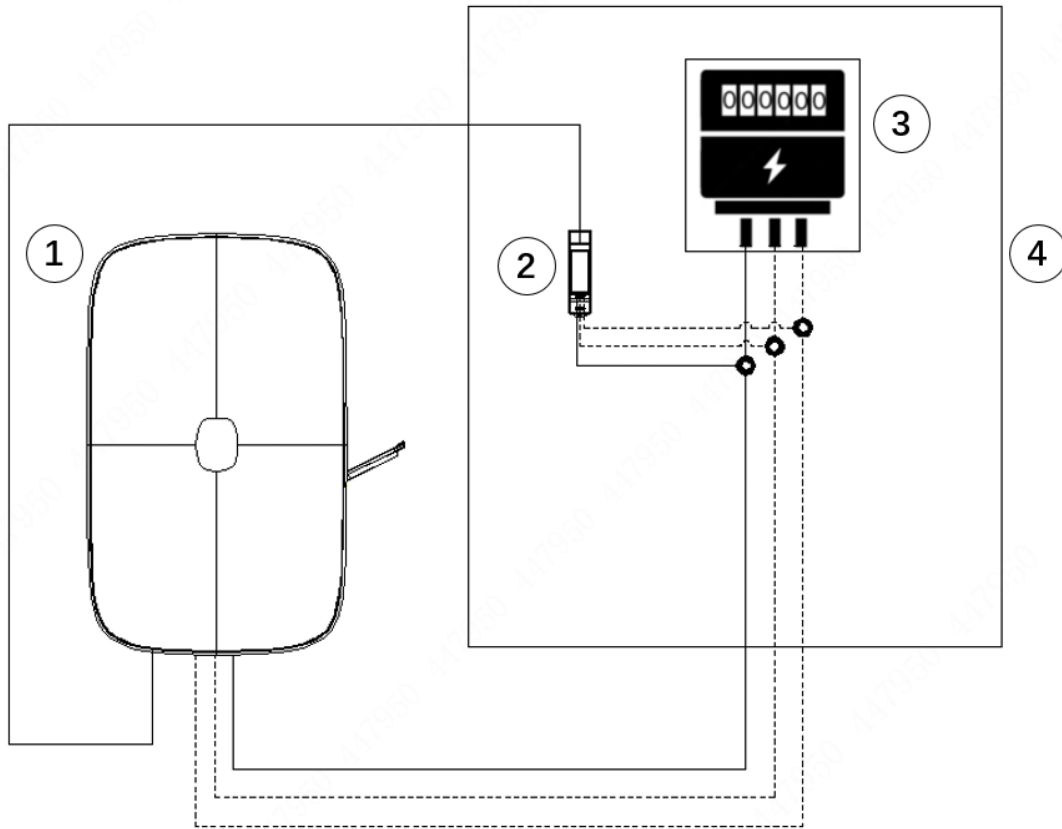
- Figure out the maximum current of each phase for the house. This value needs to be configured on the App as the maximum capacity of “dynamic load balancing” .
- Make sure the distance of the charger to the DLB adapter is not too long (The installation length of unshielded network cable should not exceed 30 meters; the installation length of shielded network cable should not exceed 150 meters.)
- Ensure that there is enough space on the DIN rail inside the home power distribution box to install the DLB adapter.

#### 1.1 The Tools And Materials That Are Needed

- a) Screwdriver
- b) Wire cutter
- c) RJ45 crimping tool
- d) Tape measure
- e) RJ45 Ethernet connector
- f) Ethernet cable

## 2. Installation

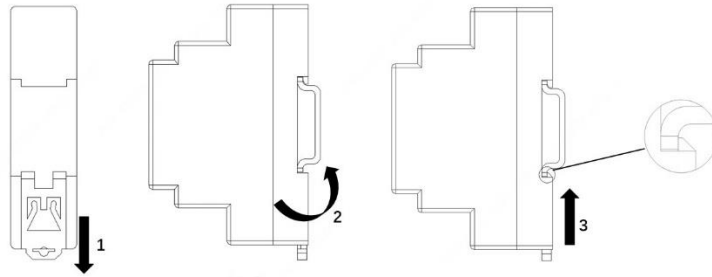
### 2.1 Installation Diagram



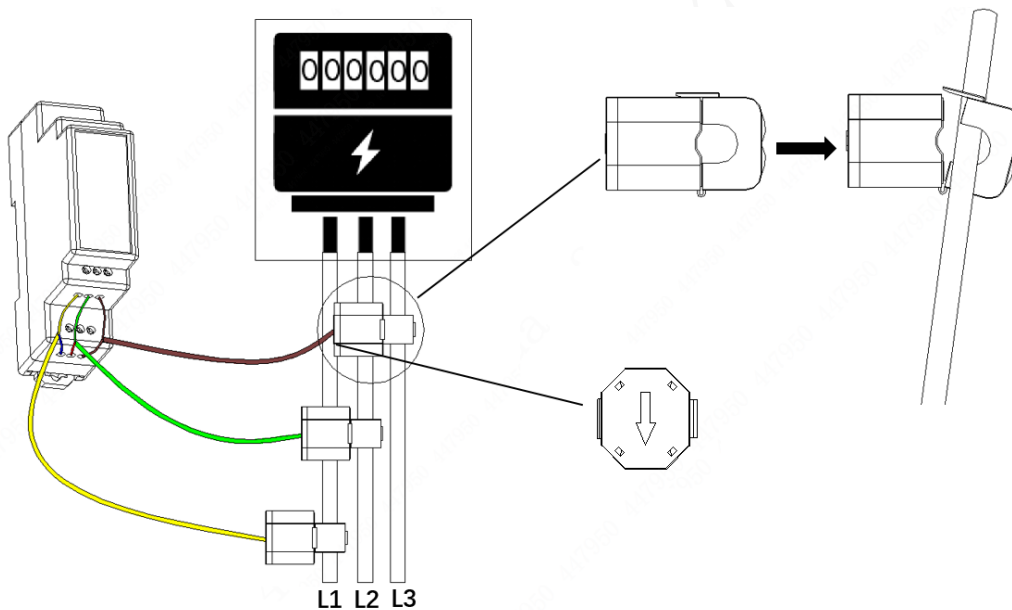
① EV Charger; ② DLB Adapter; ③ Meter; ④ Power Distribution Box

### 2.2 Installation Steps

- 1) In the power distribution box, disconnect the EV Charger's switch, post warning signs to prevent accidental power supply to the EV Charger during installation.
- 2) Install the DLB adapter on the DIN rail of the power distribution box according to the steps shown in the diagram.



- 3) In the power distribution box, install the current transformer of DLB in sequence on the phase line of the household main input power (the phase line must have an insulation protective layer). The direction arrow on the current transformer must point from the meter to the EV Charger.

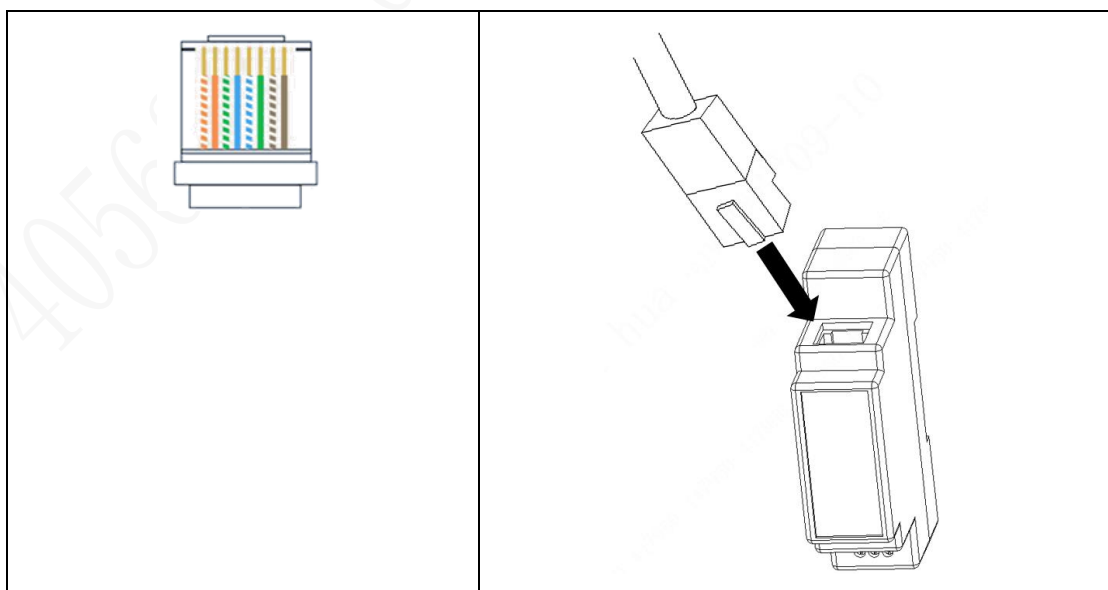


- 4) Lay the network cable from the power distribution box to the charger, leaving appropriate length on both ends for easy wiring.

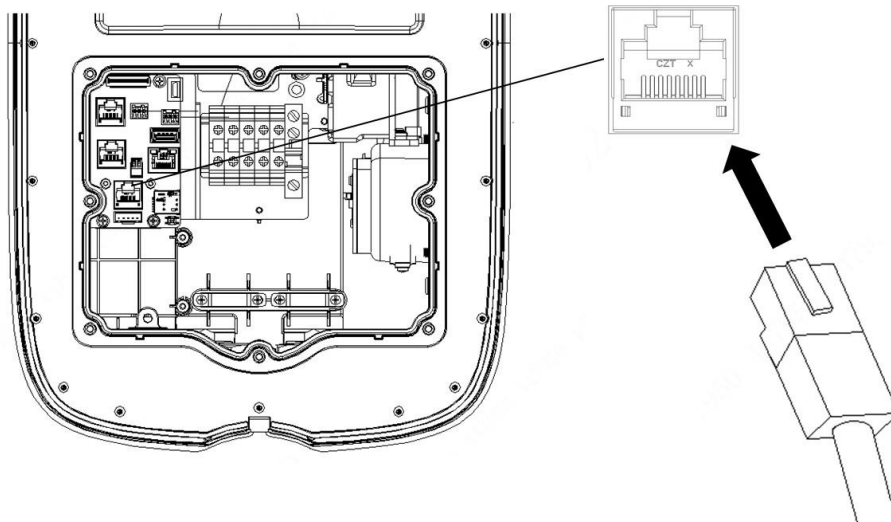
**ATTENTION PLEASE:**

- If the current transformer is installed on a phase line without insulation, it may result in product damage, or even cause injury or death to personnel.

- Ensure that the current transformer is installed on the phase line of the main power supply in the home, and install it in the right direction and correct order.
  - Read the label on the current transformer to ensure the correct installation direction.
  - If you use phase rotation method for installation, please make sure that the current transformer matches the phase rotation.
  - After installation, use a cable tie to secure the wires of the current transformer to prevent them from entangling with other wires.
- 5) Install the network cable as shown in the figure, with one end of the cable connected to the DLB adapter and the other end connected to the EV Charger. If the Ethernet cable does not come with a pre-installed RJ45 connector, it is necessary to manually crimp the RJ45 connector and then insert it into the DLB adapter interface.



Open the wiring cover of the EV Charger, thread the network cable through the bottom inlet of the charger, and insert it into the DLB socket reserved on the interface board.



- 6) Install the wiring cover.
- 7) In the power distribution box, turn on the switch of the EV Charger.