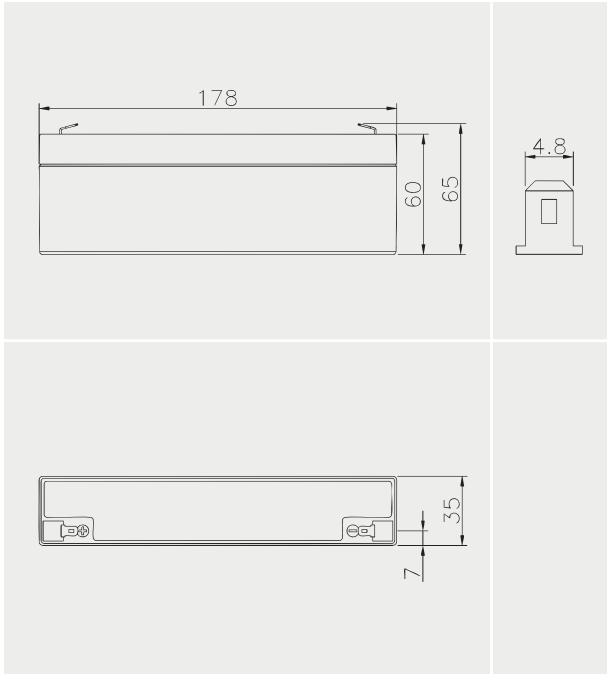




DATI, LAYOUT & COLLEGAMENTI

**2Ah**



Voltaggio	<b>12 V</b>
Prestazioni	<b>1.9Ah C20 1.75Vcell 25°C</b>
Tensione	<b>2.27V/cell at 20°C</b>
Coppia	<b>na</b>
Variatione di Corrente	<b>0.38 A</b>
Peso	<b>0.70 Kg</b>

PRESTAZIONI

[A] 20°C

V / cell	min.	5	15	30	60	120	180	300	600
1,60		6.84	3.42	1.91	1.17	0.64	0.46	0.31	0.18
1,65		6.63	3.34	1.87	1.15	0.63	0.45	0.31	0.17
1,70		6.36	3.21	1.81	1.12	0.63	0.45	0.30	0.17
1,75		6.09	3.11	1.77	1.10	0.62	0.45	0.30	0.16
1,80		5.75	2.94	1.70	1.07	0.60	0.43	0.29	0.16

[W/Cell] 25°C

V / cell	min.	5	15	30	60	120	180	300	600
1,60		76.3	39.0	21.9	13.5	7.48	5.45	3.73	2.04
1,65		74.0	38.1	21.4	13.3	7.44	5.42	3.70	2.03
1,70		71.0	36.6	20.8	13.0	7.37	5.38	3.68	2.02
1,75		67.9	35.4	20.3	12.7	7.26	5.35	3.65	2.01
1,80		64.1	33.5	19.5	12.4	7.08	5.19	3.54	1.97