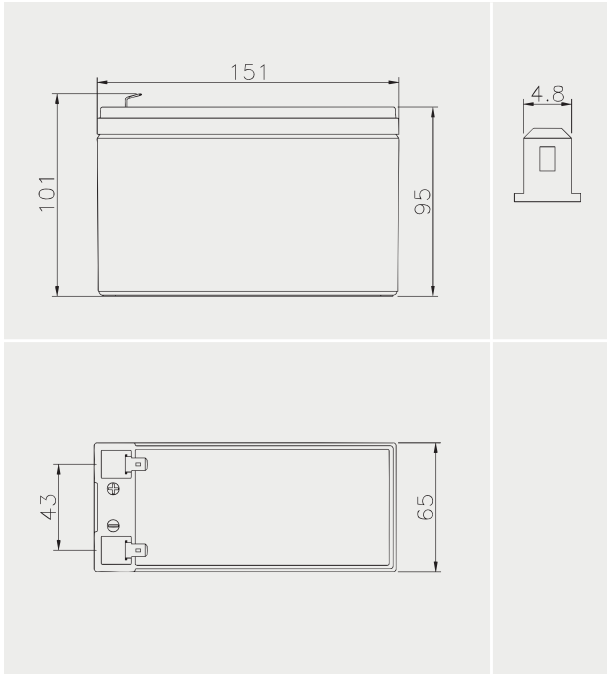




DATI, LAYOUT & COLLEGAMENTI

**7Ah**



Voltaggio	<b>12 V</b>
Prestazioni	<b>6.8Ah C20 1.75Vcell 25°C</b>
Tensione	<b>2.27V/cell at 20°C</b>
Coppia	<b>na</b>
Variazione di Corrente	<b>1.7 A</b>
Peso	<b>2.0 Kg</b>

PRESTAZIONI

[A] 20°C

V / cell	min.	5	15	30	60	120	180	300	480	600
1,60		26.7	12.8	7.83	4.20	2.55	2.18	1.29	0.79	0.70
1,67		25.6	12.4	7.50	4.16	2.50	1.85	1.26	0.78	0.70
1,70		23.7	12.0	6.80	4.00	2.45	1.75	1.23	0.78	0.67
1,75		23.4	11.7	6.48	3.92	2.42	1.70	1.19	0.77	0.67
1,80		20.7	10.6	6.00	3.65	2.36	1.67	1.18	0.76	0.66

[W/Cell] 25°C

V / cell	min.	5	15	30	60	120	180	300	480	600
1,60		302	150	87	49.1	24.4	19.1	13.0	9.00	7.24
1,67		291	147	86	48.7	25.2	19.0	13.0	8.94	7.24
1,70		280	146	85	48.0	25.0	18.9	12.9	8.81	7.22
1,75		264	141	83	47.2	24.4	18.7	12.9	8.71	7.18
1,80		228	135	80	45.8	23.6	18.4	12.7	8.57	7.07