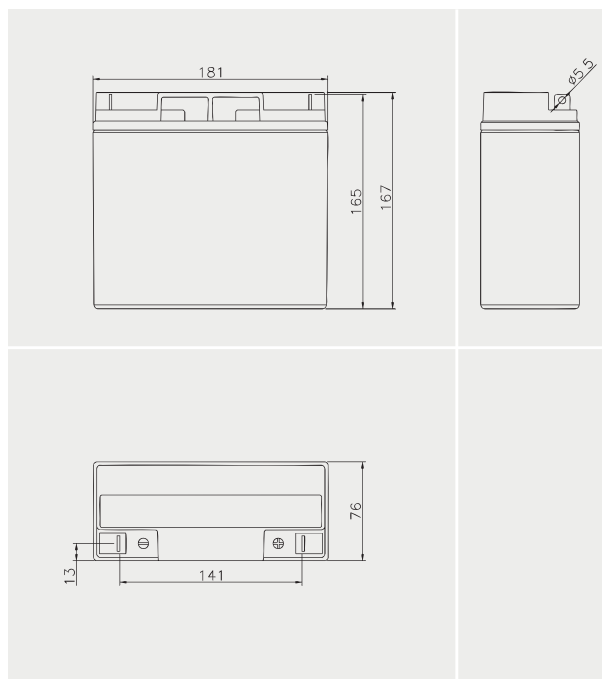




DATI, LAYOUT & COLLEGAMENTI

18Ah



Voltaggio	12 V
Prestazioni	17Ah C20 1.75Vcell 25°C
Tensione	2.27V/cell at 20°C
Coppia	6Nm
Variatione di Corrente	4.2 A
Peso	5.3 Kg

PRESTAZIONI

[A] 20°C

V / cell	min.	5	15	30	60	120	180	300	480	600
1,60		64.8	31.5	21.0	11.0	6.30	5.00	3.20	2.10	1.70
1,67		59.4	30.0	20.2	10.8	6.25	4.95	3.18	2.05	1.67
1,70		54.0	28.9	19.8	10.5	6.05	4.89	3.12	2.05	1.66
1,75		53.0	28.0	18.3	10.3	5.98	4.70	3.05	2.03	1.65
1,80		52.0	28.5	17.7	9.80	5.90	4.61	3.01	1.97	1.60

[W/Cell] 25°C

V / cell	min.	5	15	30	60	120	180	300	480	600
1,60		730	368	225	124.5	76.0	55.0	38.0	26.0	20.0
1,65		680	345	219	120.0	73.0	54.4	37.5	25.8	19.7
1,70		630	336	217	117.0	72.5	52.4	36.85	25.6	19.4
1,75		600	325	216	115.0	71.6	51.2	36.5	25.2	19.0
1,80		588	314	215	110.0	70.0	50.5	35.4	24.8	18.5