

DH-SD8X842FA-HNF

8MP 42x Starlight Laser Network PTZ Camera



Launched by Dahua Technology, Dahua WizMind is a full portfolio of solutions composed of project-oriented products including IPC, IVSS, NVR, PTZ, XVR, Thermal and software platform which adopts industry-leading deep learning algorithms. Focusing on customer's requirements, WizMind provides precise, reliable and comprehensive AI solutions for verticals.

Series Overview

This advanced PTZ camera combines intelligent analytics with long-range surveillance capabilities, featuring smart pan/tilt correction and precise control for proactive security monitoring. It delivers vibrant, high-quality images both day and night. Ideal for large-scale perimeter protection and intelligent surveillance applications.

Functions

Privacy Protection

For public scenes, mosaics can be used in real time to block detected human faces or body parts on the monitoring screen while people are moving to protect the privacy of special groups.

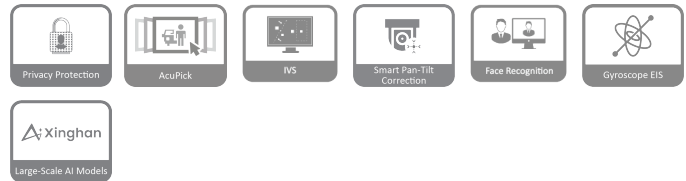
AcuPick

This industry-leading search technology effectively utilizes both front-end and back-end intelligence to help with searching through massive video data to quickly and conveniently locate targets with greater precision.

IVS

With advanced video algorithm, Dahua IVS technology supports intelligent functions, such as tripwire and intrusion.

- 1/1.8" 8Megapixel CMOS
- 42x optical zoom
- Ultra light sensitivity
- Max. 25/30 fps@8M
- Laser distance up to 600m
- Perimeter protection
- Face recognition
- Video Metadata
- Privacy Protection
- Gyroscope EIS
- IP67, IK10(excluding glass window)
- Smart Wiper
- Acupick
- Smart Pan-Tilt Correction
- WizTracking
- Xinghan Large-Scale AI Models



Smart Pan-Tilt Correction

Smart Pan-Tilt Correction is an intelligent function that can enhance the anti-disturbance capability of the monitoring system. When the PTZ is moved away from its preset position due to external forces, this function automatically drives the PTZ camera to return to the designated preset point, ensuring the accuracy of the monitoring perspective.

Face Recognition

Face attributes are extracted from captured faces, and stored in a database where they can be conveniently searched for and compared against other images. Once a successful match is found, the system outputs the result. The Dahua Face Recognition camera supports a built-in database that stores up to 10,000 face images, allowing the camera to capture and compare face images in real time.

Gyroscope EIS

Gyroscope EIS technology utilizes built-in high-precision gyroscope and accelerometer to precisely capture 6-axis vibration data. Combined with the ISP stabilization algorithm for compensation, it achieves superior stabilization performance.

Xinghan Large-Scale AI Models-Vision

Xinghan Large-Scale AI Models-Vision seamlessly expands the storage and operational capacity of algorithmic models through the powerful integration of edge AI model algorithms and NPU computing power. Engineered with a lightweight transformer architecture and enhanced by model distillation and quantization techniques, it optimizes the computing power consumption of ViT operators. This enables the system to collaborate on multiple tasks simultaneously through joint inference between small and large models optimized for edge devices.

Technical Specification

Camera

Image Sensor	1/1.8" CMOS
Pixel	8 MP
Max. Resolution	3840 (H) × 2160 (V)
ROM	8 GB
RAM	4 GB
Electronic Shutter Speed	1/1 s–1/100,000 s
Scanning System	Progressive
Min. Illumination	0.005 lux@F1.4 (Color) 0.0005 lux@F1.4 (B/W) 0 lux (IR light on)
Illumination Distance	50 m (164.04 ft) (Warm light); 120 m (393.70 ft) (IR); 600 m (1968.50 ft) (Laser)
Illuminator On/Off Control	Zoom Prio; Manual; Auto; Off
Illuminator Number	4 (IR light); 1 (Warm light); 8 (Laser)
Wiper	Smart wiper

Lens

Focal Length	6.0 mm–252 mm
Max. Aperture	F1.4–F4.8
Field of View	H: 66.1°–2.2°; V: 39.0°–1.3°; D: 74.1°–2.5°
Optical Zoom	42x
Focus Control	Auto; Semi-auto; Manual
Close Focus Distance	0.5 m–2 m (1.64 ft–6.56 ft)
Iris Control	Auto/Manual/Iris Prio

DORI Distance	Lens	Detect	Observe	Recognize	Identify
	W	120 m (393.70 ft)	47.4 m (155.51 ft)	24 m (78.74 ft)	12 m (39.37 ft)
	T	5040 m (16535.43 ft)	1990.8 m (6531.50 ft)	1008 m (3307.09 ft)	504 m (1653.54 ft)

*DORI (Detect, Observe, Recognize, Identify) is a standard system (EN-62676-4) for defining the ability of a person viewing the video to distinguish persons or objects within a covered area. The numbers in this table do not reflect intelligent function distances. For intelligent function distances, refer to installation and commissioning manual/project design tool.

PTZ

Pan/Tilt Range	Pan: 0° to 360° endless, smart pan-tilt correction; Tilt: –20° to +90°, auto flip 180°, smart pan-tilt correction
Manual Control Speed	Pan: 0.1°/s–240°/s; Tilt: 0.1°/s–100°/s
Preset Speed	Pan: 240°/s; Tilt: 100°/s
Preset	300
Tour	8 (up to 32 presets per tour)
Pattern	5
Scan	5
Power-off Memory	Yes
Idle Motion	Preset;Pattern;Tour;Scan
PTZ Protocol	DH-SD Pelco-P/D (auto recognition)
Smart pan-tilt correction	YES

Intelligence

Video Metadata	Supports detection of motor vehicles, non-motor vehicles, faces and human bodies, optimization, capturing pictures, and uploading high-quality face snapshots. It extracts attributes from motor vehicles and non-motors, detecting up to 10 attributes for motor vehicles and 8 for non-motor vehicles. It also extracts attributes from human faces and bodies, detecting up to 6 attributes for faces, and 8 for bodies
IVS (Perimeter Protection)	Tripwire; intrusion; crossing fence detection; loitering detection; abandoned/missing object; fast moving; parking detection; people gathering; human and vehicle alarm classification; detail camera linkage for positioning and tracking when multiple rules are triggered; cascaded video metadata; linkage tracking; privacy protection
Face Recognition	Supports face detection, optimization, capturing pictures, uploading high-quality face snapshots and enhancing face images. Attribute extraction is also supported, where 6 attributes and 8 expressions can be detected. Face cutout is also offered, where you can cutout one face at a time and customize the size to be a one-inch photo. It supports up to 5 face databases, where people can be added one by one or in batches. The face similarity can also be set, and faces can be compared against 10,000 faces
Smart Tracking	WizTracking
AcuPick	Uses deep learning algorithms and works with backend devices to accurately match targets, such as people and motor vehicles, and search through live and recorded videos to quickly locate targets
Privacy Protection	For public scenes, mosaics can be used in real time to block detected human faces or body parts on the monitoring screen while people are moving to protect the privacy of special groups.

Video

Video Compression	Smart H.265+;H.265;Smart H.264+;H.264;H.264B;H.264H;MJPEG(Sub Stream 1)
Streaming Capability	3 streams

Resolution	8M (3840 × 2160); 4M (2560 × 1440); 3M (2304 × 1296); 1080p (1920 × 1080); 1.3M (1280 × 960); 720p (1280 × 720); D1 (704 × 576/704 × 480); VGA (640 × 480); CIF (352 × 288/352 × 240)
Video Frame Rate	Main stream: 8M/4M/1080p/1.3M/720p@(1–25/30 fps) Sub stream 1: D1/VGA/CIF@(1–25/30 fps) Sub stream 2: 1080p/1.3M/720p/CIF@(1–25/30 fps)
Bit Rate Control	CBR/VBR
Video Bit Rate	H264: 128 kbps–16384 kbps H265: 51 kbps–11776 kbps
Day/Night	Auto/Color/B/W/Electronic
BLC	Yes
WDR	120 dB
HLC	Yes
White Balance	Auto; indoor; outdoor; tracking; manual; sodium lamp; natural light; street lamp
Gain Control	Auto; Manual; Gain Prio
Noise Reduction	2D NR; 3D NR
Motion Detection	Yes
Region of Interest (RoI)	Yes
Image Stabilization	Gyroscope EIS
Defog	Optical
Digital Zoom	16×
Image Rotation	180°
Privacy Masking	Up to 24 areas can be set, with up to 8 areas in the same view; color block and mosaic selectable
S/N Ratio	≥ 55 dB
Audio	
Audio Compression	PCM; G.711a; G.711Mu; G.726; AAC; MPEG2-Layer2; G722.1; G729; G723
Network	
Network Port	RJ-45 (10/100 Base-T)
Network Protocol	HTTP;HTTPS;TCP/IP;IPv4;RTSP;UDP;SMTP;NTP;DHCP;DNS;DDNS;IPv6;802.1x;SSL;QoS;FTP;UPnP;ICMP;SNMP;IGMP;ARP;RTCP;RTP;PPPoE;RTMP;Bonjour;NFS
Interoperability	ONVIF (Profile S & Profile G & Profile T);CGI;SDK
Streaming Method	Unicast/Multicast
User/Host	20 (total bandwidth: 64 M)
Storage	Micro SD card (512 GB); FTP; NAS
Browser	IE 9 and later versions Chrome 41 and later versions Firefox 50 and later versions Safari 10 and later versions
Management Software	DMSS;NVR;DSS Pro
Mobile Client	iOS;Android

Certification

Certifications	CE: EN55035; EN IEC61000-3-2; EN55032; EN60950; EN62368-1
----------------	---

Port

Analog Output	1 channel (CVBS output, BNC)
RS-485	1 (baud rate: 1200 bps–9600 bps)
Audio Input	1 channel (LINE IN, bare wire)
Audio Output	1 channel (LINE OUT, bare wire)
Alarm Input	7 (on-off value input: 0–5 VDC)
Alarm Output	2 channels
Alarm Linkage	Capture; preset; tour; pattern; recording; alarm digital output; send email; audio
Alarm Event	Motion/tampering detection; audio detection; network disconnection detection; IP conflict detection; memory card state detection; memory space detection

Power

Power Supply	36 VDC; 2.23 A (±25%) PoE (802.3bt)
Power Consumption	Basic: 17 W Max. (Illuminator + PTZ operation + Wiper operation): 41 W
Power Adapter	Included

Environment

Operating Temperature	–40 °C to +70 °C (–40 °F to +158 °F)
Operating Humidity	≤ 95%
Protection	IP67;IK10;TVS 6000 V lightning proof; surge protection; voltage transient protection
Anti-corrosion Level	Basic Protection *The products are designed for general use and are applicable even in areas with no specific requirements for anti-corrosion protection.

Structure

Product Dimensions	262 mm × 262 mm × 442 mm (10.31" × 10.31" × 17.40") (L × W × H)
Net Weight	10.38 kg (22.88 lb)
Gross Weight	13.83 kg (30.49 lb)

Ordering Information

Type	Model	Description
Network PTZ Camera	DH-SD8X842FA-HNF	8MP 42x Starlight Laser Network PTZ Camera
Accessories (Optional)	DH-PFB718C-SG	Ceiling Mount Bracket
	DH-PFA151	Corner Mount Bracket
	DH-PFA5500-SG	Pole Mount Bracket
	PFM900-E	Integrated Mount Tester

Accessories

Optional:



DH-PFB718C-SG
Ceiling Mount Bracket



DH-PFA151
Corner Mount Bracket

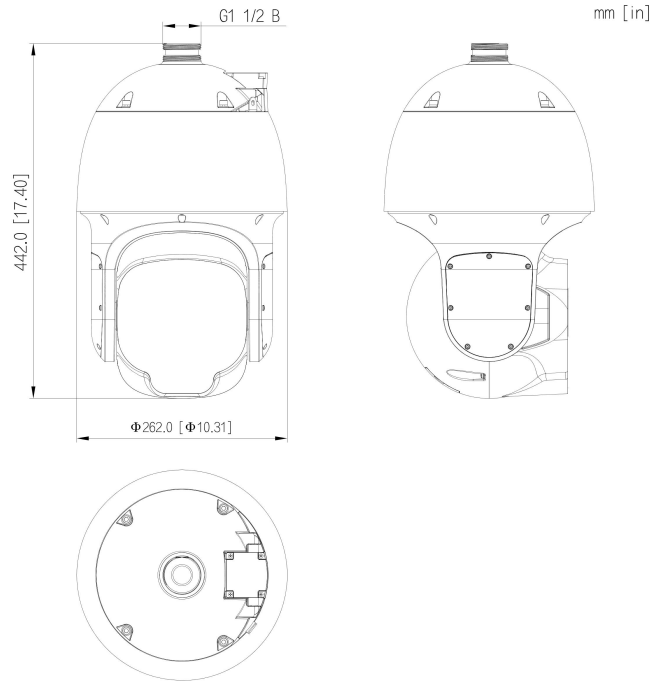


DH-PFA5500-SG
Pole Mount Bracket



PFM900-E
Integrated Mount Tester

Dimensions (mm[inch])



Wall Mount	Ceiling Mount	Ceiling Mount
PFB306W-S	PFB718C-SG	PFB711C-SG
Pole Mount (Vertical)	Pole Mount (Horizontal)	Corner Mount
PFB306W-S+PFA5500-SG	PFB718C-SG+PFA5500-SG	PFB306W-S+PFA151