

DHI-VTH5721A-WP

IP & Wi-Fi Indoor Monitor



- Built-in Linux OS.
- Featuring a sleek full-screen design with an ultra-narrow black border, this device combines style and minimalism for an exceptional visual experience.
- The 7-inch IPS capacitive touchscreen delivers a wide 178° viewing angle, precise color reproduction, and fast response for smoother operation and better visual interaction.
- Supports multiple communication modes including IP and Wi-Fi .
- Includes multi-color indicators that feature the breathing light function to keep you updated on status changes.
- Wakes up automatically when a person approaches for a seamless experience.
- Equipped with a built-in light sensor, the device automatically adjusts the screen brightness for comfortable viewing.
- Standard PoE.

Technical Specification

System

Main Processor	Embedded Processor
Operating System	Embedded Linux OS
Network Protocol	IPv4;RTSP;UDP;DNS;RTP;TCP;SIP

Basic

Screen Type	Capacitive Touchscreen
Display Screen	7-inch display screen
Screen Resolution	1024 (H) × 600 (V)
Audio Compression	G.711a; G.711u; PCM
Audio Input	1 channel
Audio Output	Built-in speaker
Audio Mode	Two-way audio
Audio Enhancement	Echo suppression/digital noise reduction
Audio Bit Rate	16 KHz , 16Bit

Function

Communication Mode	Full digital
Information Release	Receive and view the published information from the management center
Elevator Control	Residents can call the elevator through this device to their desired floor.
Leave Videos	Yes (SD card is inserted in the indoor monitor or door station)
DND Mode	Do not disturb period can be set

Number of Extensions	Villa: 1 main VTH and 9 extensions. Apartment: 1 main VTH and 4 extensions
Storage	Supports micro SD card storage (up to 512 GB)

Network

Wi-Fi	Yes
Wireless Standard	IEEE 802.11b/g/n/ax
Wireless Frequency Range	2.4 GHz
Max. Transmission Power	≤20dBm@2400-2483.5 MHz

Port

RS-485	1
Alarm Input	8 channels
Alarm Output	1 channel
Power Output	1 port (12 V, 200 mA)
Door Bell	Yes (use the alarm input port)
Network Port	1 × 10 Mbps/100 Mbps Ethernet port

Performance

Casing Material	PC + ABS
-----------------	----------

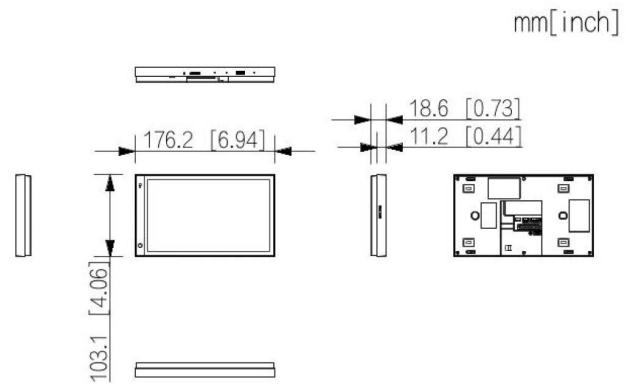
General

Appearance Color	Gray
Power Supply	12 VDC 1 A Standard PoE
Power Adapter	Optional
Installation	Surface Mount
Certifications	CE

DHI-VTH5721A-WP

Accessory	Included: RS-485 and power output cable, Power cord, bracket and alarm cable.
Product Dimensions	176.2 mm × 103.1 mm × 18.6 mm (6.94" × 4.06" × 0.73") (H × W × D)
Operating Temperature	-10 °C to +55 °C (+14 °F to +131 °F)
Operating Humidity	10%–95% (RH), non-condensing
Operating Altitude	Below 3,000 m (9,842.52 ft)
Power Consumption	≤ 3.7 W (standby), ≤ 9.5 W (working)
Gross Weight	0.58 kg (1.28 lb)
Storage Temperature	0 °C to +40 °C (+32 °F to +104 °F)
Storage Humidity	30%–75%
Operating Environment	Indoor

Dimensions (mm[inch])



Ordering Information

Type	Model	Description
IP Indoor Monitor	DHI-VTH5721A-WP	IP & Wi-Fi Indoor Monitor

Application

Installation

