

DH-SDT5X425-4Z4-FA-0832

4MP 25x Starlight IR WizMind Network Dual-PTZ Camera



WizMind

Launched by Dahua Technology, Dahua WizMind is a full portfolio of solutions composed of project-oriented products including IPC, IVSS, NVR, PTZ, XVR, Thermal and software platform which adopts industry-leading deep learning algorithms. Focusing on customer's requirements, WizMind provides precise, reliable and comprehensive AI solutions for verticals.

System Overview

The multi-sensor series blends the functions of panoramic and detail cameras into its powerful design. Both the panoramic and detail cameras of this model can freely rotate on their domes to track multiple targets in a scene from different angles while keeping an eye on the monitored area. The panoramic camera is used in intelligent detection, and the detail camera is for auto-tracking. They also harness the strength of their embedded AI chips to perform a wide variety of intelligent functions, making them ideal for use in many scenarios.

Functions

Dual-PTZ System

Both the panorama camera and detail camera of the Dual-PTZ system can be moved horizontally and vertically.

Face Recognition

Face attributes are extracted from captured faces, and stored in a database where they can be conveniently searched for and compared against other images. Once a successful match is found, the system outputs the result. The Dahua Face Recognition camera supports a built-in database that stores up to 10,000 face images, allowing the camera to capture and compare face images in real time.

Starlight+ Technology

For challenging low-light conditions, Dahua's Starlight Ultra-low Light Technology offers the best in light sensitivity, capturing color in vivid detail, even in lighting as low as 0.001 lux. The camera uses a set of optical features to balance light throughout the scene, producing clear images in dark environments.

PFA Technology

PFA technology has introduced new methods of judgment that ensure the accuracy and predictability of the direction of subject distance

- Dual PTZ system, dual vari-focal lens.
- 1/1.8" 4Megapixel CMOS.
- Powerful 25x optical zoom.
- Starlight technology.
- Max. 25/30 fps@4M.
- Auto Tracking3.0; Linkage Tracking.
- Perimeter protection.
- Support Hi-PoE.
- H.265 Encoding.
- IP67, IK10(excluding glass window).



adjustment. The result is a set of advanced focusing algorithms that ensure image clarity when zooming and that shorten focus time. This makes the camera highly advanced in its functions, substantially improving the quality of your experience.

Metadata

Metadata is information on the attributes of targets that is extracted during monitoring. It can be used for data retrieval. There are four kinds of metadata supported by Dahua PTZ WizMind cameras: Human face, human body, motor vehicle and non-motor vehicle. Face information includes gender, age, glasses, masks, beards, and more. Human body information includes hat, top, top color, bottom, bottom color, bag, and more. Motor vehicle information includes plate color, type, vehicle color, sun visor, ornament, calling, seatbelt, smoking, annual inspection sticker, and more. Non-motor vehicle information includes type, color, top type, top color, people number, and more.

Perimeter Protection

Automatically filters out false alarms caused by animals, rustling leaves, bright lights, and more, and uses secondary recognition during target detection to improve alarm accuracy.

AcuPick

This industry-leading search technology effectively utilizes both front-end and back-end intelligence to help with searching through massive video data to quickly and conveniently locate targets with greater precision.

Technical Specification

Camera

Image Sensor	Panorama: 1/1.8" CMOS Detail: 1/1.8" CMOS
Pixel	Panorama: 4 MP Detail: 4 MP
Max. Resolution	Panorama: 2688 (H) × 1520 (V) Detail: 2688 (H) × 1520 (V)
Electronic Shutter Speed	Panorama: 1 s–1/30,000 s Detail: 1 s–1/30,000 s
Scanning System	Progressive
Min. Illumination	Panorama: Color: 0.001 lux@F1.6 B/W: 0.0001 lux@F1.6 Detail: Color: 0.001 lux@F1.6 B/W: 0.0001 lux@F1.6 0 lux (IR light on)
Illumination Distance	Panorama (white light): 30 m (98.43 ft) Detail (IR light): 100 m (328.08 ft)
Illuminator On/Off Control	Panorama: Zoom Prio; Manual; Auto; Off Detail: Zoom Prio; Manual; Auto; Off
Illuminator Number	Panorama: 4 white lights Detail: 4 IR lights

Lens

Focal Length	Panorama: 8 mm–32 mm Detail: 5.4 mm–135 mm			
Max. Aperture	Panorama: F1.6 Detail: F1.6–F4.0			
Field of View	Panorama: H: 42°–15°; V: 23°–8°; D: 49°–17° Detail: H: 58°–3.5°; V: 35°–2°; D: 64°–4°			
Optical Zoom	Panorama: 4× Detail: 25×			
Focus Control	Auto; Semi-Auto; Manual			
Close Focus Distance	Panorama: 2.5 m–6 m (8.20 ft–19.69 ft) Detail: 0.5 m–7 m (1.64 ft–22.97 ft)			
Iris Control	Panorama: Auto Detail: Auto			
DORI Distance	Detect	Observe	Recognize	Identify
	Panorama: 400 m (1,312.34 ft) Detail: 1,724 m (5,656.17 ft)	Panorama: 159.9 m (524.61 ft) Detail: 690 m (2,263.78 ft)	Panorama: 79.9 m (262.14 ft) Detail: 345 m (1,131.89 ft)	Panorama: 39.8 m (130.58 ft) Detail: 172 m (564.30 ft)
	*DORI (Detect, Observe, Recognize, Identify) is a standard system (EN-62676-4) for defining the ability of a person viewing the video to distinguish persons or objects within a covered area. The numbers in this table do not reflect intelligent function distances. For intelligent function distances, refer to installation and commissioning manual/project design tool.			

PTZ

Pan/Tilt Range	Panorama: Pan: 0° to 360° endless Tilt: 0° to 30° Detail: Pan: 0° to 305° Tilt: –10° to 90°
Manual Control Speed	Panorama: Pan: 0.1°/s–100°/s; Tilt: 0.1°/s–25°/s Detail: Pan: 0.1°/s–400°/s; Tilt: 0.1°/s–200°/s
Preset Speed	Panorama: Pan: 100°/s; Tilt: 50°/s Detail: Pan: 360°/s; Tilt: 200°/s
Preset	300
Tour	8 (up to 32 presets per tour)
Scan	5
Power-off Memory	Yes
Idle Motion	Preset; Scan; Tour
PTZ Protocol	DH-SD Pelco-P/D (auto recognition)

Intelligence

Video Metadata	Support human body, human face, motor vehicle and non-motor vehicle image capture and attributes extraction
IVS (Perimeter Protection)	Tripwire; intrusion; climbing fences; loitering detection; abandoned/missing object; fast moving; parking detection; people gathering; vehicle/human alarm classification
Face Recognition	Supports face detection, optimization, capturing pictures, uploading high-quality face snapshots and enhancing face images. Attribute extraction is also supported, where 6 attributes and 8 expressions can be detected. Face cutout is also offered, where you can cutout one face at a time and customize the size to be a one-inch photo. It supports up to 5 face databases, where people can be added one by one or in batches. The face similarity can also be set, and faces can be compared against 10,000 faces
Smart Tracking	Auto Tracking 3.0; Linkage Tracking
Acupick	Uses deep learning algorithms and works with backend devices to accurately match targets, such as people and motor vehicles, and search through live and recorded videos to quickly locate targets

Video

Video Compression	H.265; H.264B; H.264; H.264H; MJPEG; smart H.265+; smart H.264+
Streaming Capability	3 streams
Resolution	Panorama: 4M (2688 × 1520); 4M (2560 × 1440); 1080p (1920 × 1080); 960p (1280 × 960); 720p (1280 × 720); D1 (704 × 576); VGA (640 × 480); CIF (352 × 288) Detail: 4M (2688 × 1520); 4M (2560 × 1440); 1080p (1920 × 1080); 960p (1280 × 960); 720p (1280 × 720); D1 (704 × 576); VGA (640 × 480); CIF (352 × 288)
Video Frame Rate	Panoramic: Main stream: 4M/1080p/1.3M/720p (1–25/30 fps) Sub stream 1: D1/VGA/CIF (1–25/30 fps) Sub stream 2: 1080p/1.3M/720p/CIF (1–25/30 fps) Detail: Main stream: 4M/1080p/1.3M/720p (1–25/30 fps) Sub stream 1: D1/VGA/CIF (1–25/30 fps) Sub stream 2: 1080p/1.3M/720p/CIF (1–25/30 fps)
Bit Rate Control	CBR; VBR

Video Bit Rate	H.264: 512 Kbps–13056 Kbps H.265: 204 Kbps–7936 Kbps
Day/Night	Panorama: Auto (ICR) Detail: Auto (ICR)
BLC	Yes
WDR	Panorama: 150 dB Detail: 150 dB
HLC	Yes
White Balance	Panorama: Auto; indoor; outdoor; tracking; manual; sodium lamp; natural light; street lamp Detail: Auto; indoor; outdoor; tracking; manual; sodium lamp; natural light; street lamp
Gain Control	Auto; Manual
Noise Reduction	2D NR; 3D NR
Motion Detection	Yes
Region of Interest (RoI)	Yes
Defog	Electronic
Digital Zoom	16×
Image Rotation	180°
S/N Ratio	Panorama: ≥ 55 dB Detail: ≥ 55 dB

Audio

Audio Compression	PCM; G.711a; G.711Mu; G.726; MPEG2-Layer2; G722.1; G729
-------------------	---

Network

Network Port	RJ-45 (10/100 Base-T)
Network Protocol	TCP; FTP; RTMP; IPv6; IPv4; DNS; RTP; PPPoE; NTP; RTP; 802.1x; HTTPS; SNMP; DDNS; UPnP; ICMP; UDP; IGMP; HTTP; DHCP; SMTP; SNMP v1/v2c/v3 (MIB-2); QoS; RTSP; ARP
Interoperability	CGI; ONVIF (Profile S & Profile G & Profile T & Profile M)
Streaming Method	Unicast; Multicast
User/Host	20 (total bandwidth: 64 M)
Storage	FTP; Micro SD card (512 GB)
Browser	IE9 and later versions Chrome 41 and later versions Firefox 50 and later versions Safari 10 and later versions
Management Software	DSS; NVR; Smart PSS
Mobile Client	iOS; Android

Port

Audio Input	1 channel (LINE IN, bare wire)
Audio Output	1 channel (LINE OUT, bare wire)
Two-way Audio	Yes
Alarm Linkage	Capture; preset; tour; recordings on SD card; alarm digital input; send email
Alarm Event	Motion/tampering detection; audio detection; network disconnection detection; IP conflict detection; memory card state detection; memory space detection; illegal access

Alarm Input	2 channel in: supports wet contact connection (max load 5 mA 3-5 VDC); supports dry contact connection
Alarm Output	1 channel out: dry contact, max load 1,000 mA 30 VDC/500 mA 50 VAC
Audio I/O	1/1

Power

Power Supply	36 VDC(± 25%), 2.23 A ;Hi-PoE
Power Consumption	Basic: 21 W Max.: 40 W (PTZ, zoom, focus, IR light, white light, and smart plan enabled)

Environment

Operating Temperature	-40 °C to +65 °C (-40 °F to +149 °F)
Operating Humidity	≤ 95% (RH)
Protection	IP67; IK10; TVS 8000 V lightning protection; surge protection; voltage transient protection

Structure

Product Dimensions	385 mm × Φ277 mm (15.16" × Φ10.91")
Net Weight	9 kg (19.84 lb)
Gross Weight	13.8 kg (30.42 lb)

Ordering Information

Type	Model	Description
Dual-PTZ Camera	DH-SDT5X425-4Z4-FA-0832	4MP 25 Ordinary IR NETWORK PTZ CAMERA
Accessories	DC36V/2.23A	Power Adapter
	PFB306W-S	Wall Mount Bracket
	PFA150	Pole Mount Bracket
	PFB300C-S	Ceiling Mount Bracket

Accessories

Included:



DC36V/2.23A
Power Adapter



PFB306W-S
Wall Mount Bracket

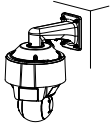
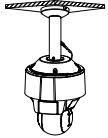
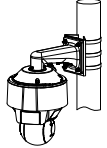
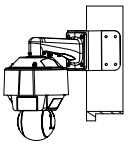
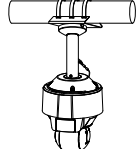
Optional:



PFA150
Pole Mount Bracket



PFB300C-S
Ceiling Mount Bracket

Wall Mount PFB306W-S	Ceiling Mount PFB300C-S	Pole Mount(Vertical) PFB306W-S+PFA150
		
Corner Mount PFB306W-S+PFA151	Pole Mount(Horizontal) PFB300C-S+PFA150	
		

Dimensions (mm[inch])

