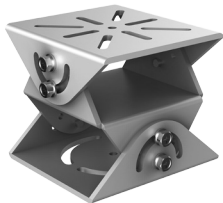


# DH-PFA162-SG

Universal Joint



- Built of aluminum alloy.
- Suitable for a variety of cameras and is elegant.
- Supports being adjusted to multiple angles to suit the needs of various installation locations.



## Series Overview

The Mounting Bracket works with front-end services, supporting installation methods such as wall mount, pole mount, corner mount and in-ceiling mount. Select brackets are designed to suit complex scenes, making them convenient to use in environments with high temperatures, humidity, frequent vibrations, and in locations that are highly corrosive. These highly reliable brackets are easy to install and use.

## Scene

Ideal for mounting cameras, it works in temperatures ranging from  $-40^{\circ}\text{C}$  to  $+60^{\circ}\text{C}$  ( $-40^{\circ}\text{F}$  to  $+140^{\circ}\text{F}$ ) and in environments with relative humidity of less than 90%.

## Technical Specification

Structure

Casing Material	Aluminum alloy
Product Dimensions	115.0 mm × 115.0 mm × 98.8 mm (4.53" × 4.53" × 3.89") (L × W × H)
Appearance Color	Silver gray
Net Weight	0.48 kg (1.06 lb)
Gross Weight	0.56 kg (1.23 lb)
Load bearing	6.0 kg (13.23 lb)
Installation	Plane mount
Adjustable Inclination Angle	$-30^{\circ}$ to $+30^{\circ}$
Packaging Dimensions	137 mm × 123 mm × 110 mm (5.39" × 4.84" × 4.33") (L × W × H)
Applicable Model	Please see "Camera Accessories Selection"

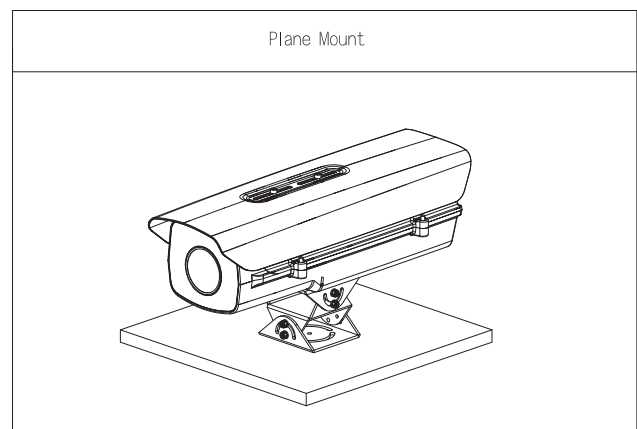
## Environment

Operating Temperature	$-40^{\circ}\text{C}$ to $+60^{\circ}\text{C}$ ( $-40^{\circ}\text{F}$ to $+140^{\circ}\text{F}$ )
Operating Humidity	< 90% (RH)
Storage Temperature	$-40^{\circ}\text{C}$ to $+60^{\circ}\text{C}$ ( $-40^{\circ}\text{F}$ to $+140^{\circ}\text{F}$ )
Storage Humidity	10%–90% (RH)
Anti-corrosion Level	Basic Protection

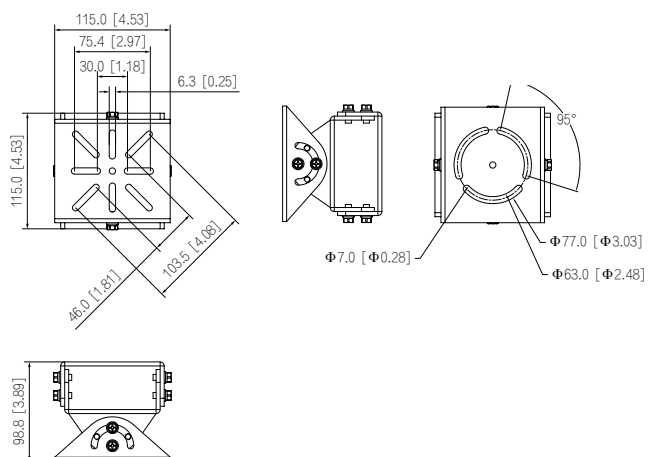
## Ordering Information

Type	Model	Description
Camera Mount	DH-PFA162-SG	Universal Joint

## Installation



## Dimensions (mm[inch])



## Package Information

- Universal joint × 1
- 1/4-20×12UNC screw × 2
- M6×14 screw × 2